



# Sigurnosne hvataljke

*Safety Clamps*



## HVATALJKA HLV CLAMP HLV

Posebno konstruisane sigurnosne hvataljke služe za vertikalni prenos limova u radionicama čeličnih konstrukcija, brodogradilištima i skladištima. Ove hvataljke mogu korisno poslužiti i za prenos raznih profila, za dizanje čeličnih konstrukcija kod međusobnog spajanja. Sigurnosne hvataljke za dizanje i prijenos naročito su pogodne za prenos dužih limova i to u slučajevima gde su sa dve hvataljke zavešane na noseću gredu, treba preneti lim. Pre isporuke, svaka hvataljka ispituje se u skladu sa pravilnikom o higijensko-tehničkim zaštitnim merama pri radu sa dizalicama i izdaje se atest.

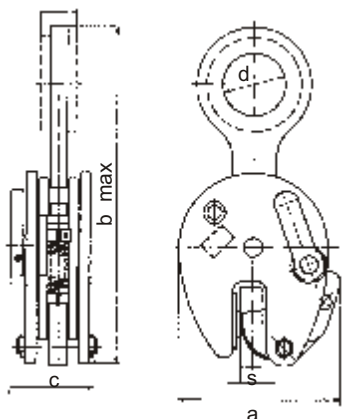
Prednosti ovih hvataljki su:

1. trenutno prihvatanje, a i time je omogućeno brzo dizanje;
  2. izbegavanje svakog navarivanja pomoćnih nosivih nastavaka potrebnih za dizanje, kao i upotreba neprikladnih vijčanih stega;
  3. da prihvataju ploču u vertikalnom položaju obzirom na to što imaju sigurnosno predstezanje.
- Isto tako se ne otpuštaju pre nego što im se sigurnosni uređaj ne otpusti.

The specially designed safety clamps, used for vertical plate lifting in steel construction workshops, shipyards and warehouses. These clamps can also be usefully used for transporting various profiles, for lifting steel constructions, for gripping plates and parts of constructions which are to be assembled. For lifting and transporting longer plates, we recommended the use of two clamps suspended from a lifting beam. Before delivery, each clamp is to be tested in accordance with the rules and Regulations of Safety at Work at the crane operations and a corresponding certificate is to be issued.

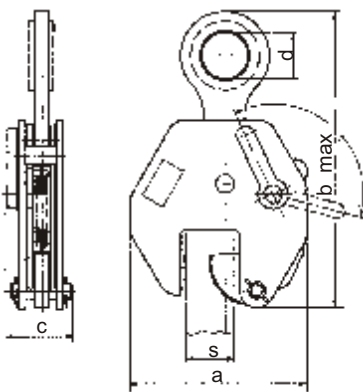
Advantages of these safety clamps are:

1. Instantaneous gripping which enables quick lifting;
2. Avoidance of any welding on by means of transportable parts which are needed for lifting as well as the usage of unfitting screw fixtures;
3. Vertical plate gripping because they have safety pretightening.



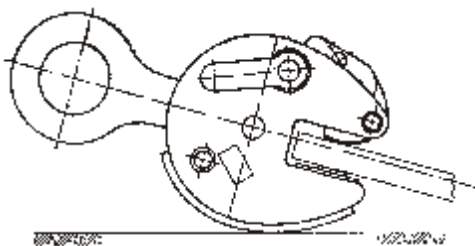
tip type	nosivost capacity kN	deblji. lima plate thickness S mm	mm				masa mass kg
			a	b	c	d	
HLV 1	10	0-20	130	300	80	60	5,5
HLV 2	20	0-25	205	430	90	75	14,5
HLV 4	40	0-30	225	480	105	80	20,5
HLV 6	60	0-40	250	530	110	80	28
HLV 9	90	0-50	340	640	115	90	43,5
HLV 12	120	0-75	363	680	130	90	58,5
HLV 15	150	0-76	400	748	175	108	100
HLV 20	200	0-76	445	844	184	108	120

## HVATALJKA HLV-A CLAMP HLV-A



tip type	nosivost capacity kN	deblji. lima plate thickness S mm	mm				masa mass kg
			a	b	c	d	
HLV-A-1	10	20-40	150	300	80	60	6
HLV-A-2	20	25-50	225	430	90	75	16
HLV-A-4	40	30-60	250	480	105	80	22,5
HLV-A-6	60	40-80	300	530	110	80	30
HLV-A-9	90	50-100	370	640	115	90	46
HLV-A-12	120	75-150	430	680	132	90	65
HLV-A-15	150	75-150	515	850	307	108	130
HLV-A-20	200	75-150	545	876	310	108	150

## HVATALJKA HLV-V CLAMP HLV-V



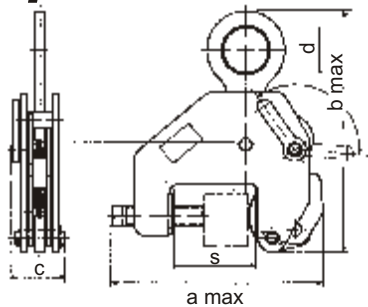
Ovaj tip hvataljki naročito je primenljiv na terenu i na onim mestima gde ne postoji dizalica. Pomoću ovih hvataljki mogu se limovi vući kamionom, traktorom ili nekim drugim prevoznim sredstvom. Pored toga hvataljke se mogu primeniti i za prenos limova u uspravnom položaju. Tehničke podatke videti za tip HLV.

Traction safety clamps, type HLV-V, are specially used at sites and at the places where there is no crane. By means of this type of clamps the plates can be pulled by a truck, a tractor or any other vehicle. The clamps can also be used for transport of plates in the vertical position. For technical data, see type HLV.

## HVATALJKA HLV-S CLAMP HLV-S

Hvataljka HLV-S, s vijkom i sigurnosnim mehanizmom, služi za prenos predmeta širokih raspona debljina i oblika, kao na primer limova, kvadratnih i pljosnatih profila i sl.

The clamp, type HLV-S, provided with a screw and a safety device, serves for transport of various objects, with a wide range of thickness and shapes, such as plates, square and flat profiles, etc.



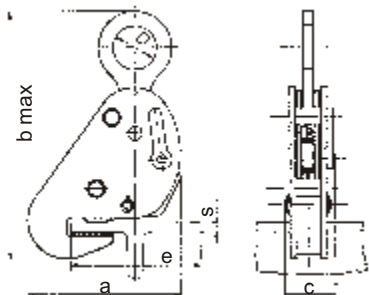
tip type	nosivost capacity kN	deblji. lima plate thickness S mm	mm				masa mass kg
			a	b	c	d	
HLV-S	20	70-150	430	450	102	80	24,5

## HVATALJKA HPR CLAMP HRP

Sigurnosne hvataljke za prenos i pridržavanje profila tip HPR, namenjene su za transport svih vrsta profila do najtežih nosača za dizalice i mostove. Kod prenosa ovom hvataljkom osnovna površina nalazi se u horizontalnom položaju. Hvataljka poseduje i sigurnosni uređaj za predstezanje, što garantuje sigurnost prilikom prenošenja. Sve stezne plohe hvataljke su termički obrađene, što garantuje sigurno hvatanje i dugi vek trajanja. Hvataljka se pojedinačno ispituje u skladu s Pravilnikom o higijensko-tehničkim zaštitnim merama pri radu sa dizalicama i izdaje se atest.

The safety clamps for transport and holding of profiles, type HPR, are used for transport of all kinds of profiles up to the heaviest supports for cranes and bridges. At the moment of transport by this type of clamps, the basic profile surface is in the horizontal position. The clamp is also provided with a safety lock what assures complete security during transport.

All gripping clamp surfaces are heat treated what assures safe gripping and long life. Each clamp is to be tested in according with the Rules and Regulations of Safety at Work at the crane operation and a corresponding certificate is to be issued.



tip type	nosivost capacity kN	deblji. lima plate thickness S mm	mm					masa mass kg
			a	b	c	d	e	
HPR 1	10	0-20	215	365	80	60	70-180	8
HPR 2	20	0-25	365	545	95	75	130-305	25
HPR 4	40	0-30	440	595	95	80	180-360	37
HPR 6	60	0-40	460	700	105	80	200-400	60
HPR 9	90	0-50	600	865	115	90	250-500	105

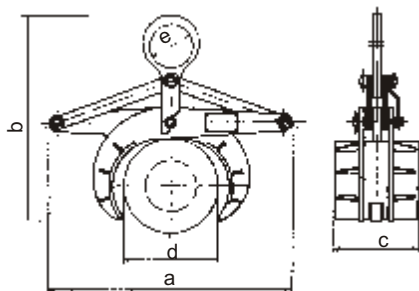
## HVATALJKA HOM CLAMP HOM

Hvataljke za prenos okruglih materijala tipa HOM, namenjene su za pojedinačni prenos raznih okruglih materijala na skladištima, u radionicama i pri montaži u prvom redu cevi, čeličnih, betonskih, keramičkih, salonitnih i ostalih okruglih punih materijala i boca sa ispraznjemim plinom i sl.

Tip HOM-B namenjen je za prenos standardnih bačvi promjera 570 mm, za lož ulje, ulje za podmazivanje i sl.

Safety clamps for transporting round materials, type HOM, are used for separate transport of various round materials in warehouses, workshops and at erection of e. g: tubes, steel, concrete, ceramic, salonit and other round solid materials, then tanks with compressed gases, etc.

Type HOM-B is used for transport of standard 570 mm dia, drums for fuel oil, lubrication oil and the like.



tip type	nosivost capacity kN	Ø D mm	mm				masa mass kg
			a max	b max/min	c	e	
HOM-05-1,5	5	35-150	425	620/360	180	52	5
HOM-1-2	10	80-200	510	695/438	180	65	12
HOM-2-3	20	100-300	710	946/575	220	100	37
HOM-3-4	30	200-400	755	1010/647	220	110	100
HOM-4-6	40	300-600	1285	1565/960	220	166	150
HOM-B	5	570	960	890/746	250	120	25

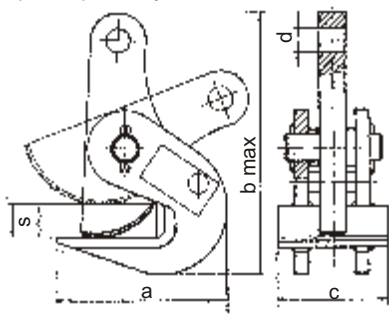
# HVATALJKA HLH

## CLAMP HLH

Hvataljka HLH služi za prenos limova u horizontalnom položaju. Upotrebljavaju se uvek tamo gde nije moguć vertikalni prenos. Takođe se upotrebljavaju za uvođenje limova u mašine (prese, savijačice i sl.) za transport više limova odjednom, čeličnih konstrukcija i sl.

Kod prenošenja, upotrebljavaju se uvek dve hvataljke, odnosno par, dok se za prenošenje dugačkih limova upotrebljavaju dva para hvataljki vezanih za noseću gredu. Hvataljke se vežu za kuke dizalice pomoću čeličnog užeta ili lanaca, a ovi pomoću škopaca ili karika za užu, odnosno lanac.

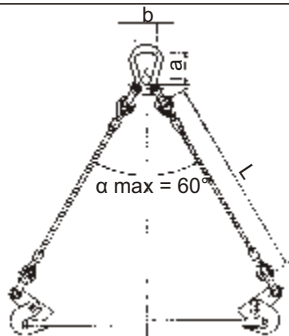
The safety plate lifting clamps, type HLH, serve for transport of plates in the horizontal position. They are always used in cases where the vertical transport is not possible. They are also used for installing plates into machines (shears, presses, rolling machines, etc.) as well as for the transport of several plates at once, steel constructions, etc. During transport, there are always used two clamps respectively one pair. Long plates are transported by means of two pairs of clamps linked to the lifting beam. The clamps are linked to the crane hook by means of steel rope or chain, and these ones by means of shackles or link to the rope, respectively chain.



tip type	nosivost capacity kN	debljina lima plate thickness S mm	mm				masa mass kg
			a	b max	c	d	
HLH-1	10	0-25	130	200	85	21	7
HLV-2,5	25	0-50	195	285	100	26	18
HLH-5	50	0-60	235	350	110	36	28
HLH-8	80	0-60	235	355	125	46	38
HLH-10	100	0-75	295	440	160	51	62

# PRIBOR ZA TRANSPORT U HORIZONTALNOM POLOŽAJU

## HORIZONTAL PLATE LIFTING ACCESSORIES



tip type	nosivost capacity kN	I omča noose	II škopac rope	III hvataljka clamp	mm		
					a	b	L*
HLH-1-K	10	OH 1	SH 1	HLH 1	115	80	2000
HLH-2,5-K	25	OH 2,5	SH 2,5	HLH 2,5	115	80	
HLH-5-K	50	OH 5	SH 5	HLH 5	160	120	
HLH-8-K	80	OH 8	SH 8	HLH 8	160	120	
HLH-10-K	100	OH 10	SH 10	HLH 10	175	130	

\* Normalna izvedba L=2000 mm, posebne dužine navesti kod narudžbine.

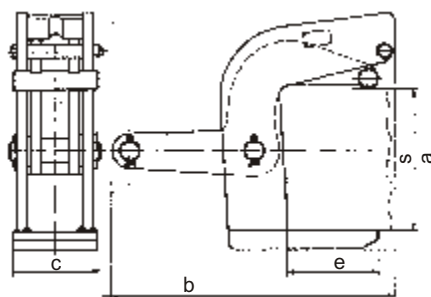
\* Standard workmanship L = 2000 mm, special lengths to be specified when ordering.

# HVATALJKA HLP

## CLAMP HLP

Prenos paketa tankih limova u horizontalnom položaju vrši se pomoću hvataljke tipa HLP. Budući da je gornji lim pritiskom hvataljke blokiran, te je onemogućeno svako klizanje lima. Nalegajuće plohe hvataljke su tako široke, da se limovi ne mogu oštetiti.

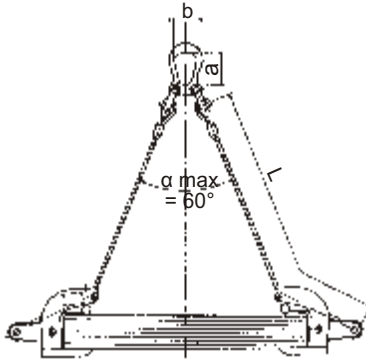
Safety clamps, type HLP, are used for transporting bundles of thin plates in the horizontal position. Since the upper plate is blocked up by pressing the clamp, any sliding of the plate is made impossible. They lying surfaces of the clamp are sufficiently wide, so that the plates cannot be damaged.



tip type	nosivost po paru s.w.l. per pair kN	mm				debljina lima bundle thickness S mm	masa po paru mass per pair kg
		a	b max	c	e		
HLP 1-1	10	194	265	85	100	0-100	12
HLP 1-2	10	302	328	85	120	0-200	18
HLP 2,5-1	25	218	292	110	100	0-100	24
HLP 2,5-2	25	328	350	110	120	0-200	36
HLP 2,5-3	25	444	427	110	150	0-300	50
HLP 5-1	50	254	360	140	110	0-100	48
HLP 5-2	50	354	435	140	135	0-200	64
HLP 5-3	50	468	505	140	160	0-300	82
HLP 8-2	80	392	530	175	170	0-200	124
HLP 8-3	80	502	590	175	190	0-300	170

# PRIBOR ZA TRANSPORT PAKETA LIMOVA

## ACCESSORIES FOR TRANSPORTING BUNDLES OF PLATES



tip type	nosivost capacity kN	I omča noose	II škopac rope	III hvataljka clamp	mm		
					a	b	L*
HLP-1-K	10	OH 1	SH 1	HLH 1	115	80	2000
HLP-2,5-K	25	OH 2,5	SH 2,5	HLH 2,5	115	80	
HLH-5-K	50	OH 5	SH 5	HLH 5	160	120	
HLH-8-K	80	OH 8	SH 8	HLH 8	160	120	

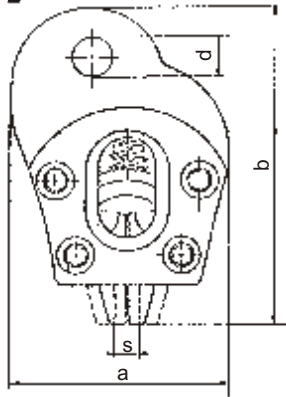
\* Normalna izvedba L = 2000 mm, posebne dužine navesti kod narudžbine.  
 \* Standard workmanship L = 2000 mm, special lengths to be specified when ordering.

## HVATALJKA HŽ

### CLAMP HŽ

Hvataljke za žicu služe za hvatanje kraja žice prilikom povlačenja, kalibrisanje kao i ostalih radova gde je potrebno vući žice.

Wire Clamps are used for gripping wire ends on occasion of drawing, calibrating and all other operations where are to be pulled.



tip type	S Ø min/max mm	širina čeljusti jaw width	mm				masa mass kg
			a	b	c	d	
HŽ-8	2-8	20	73	105	40	12,5	1
HŽ-12	6-12	25	105	160	50	19	2
HŽ-16	8-16	25	120	170	55	19,2	4

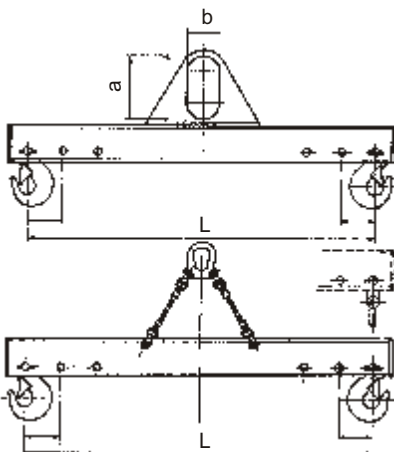
C = debljina / thickness

## NOSIVE GREDE NG

### LIFTING BEAMS NG

Prilikom transporta dugačkih limova u vertikalnom, kao i u horizontalnom položaju, kao i raznih profila, upotrebljavaju se nosive grede. Grede proizvodimo u sledećim izvedbama. Tip NG-F i NG-U. Oba navedena tipa mogu biti opremljena kukama ili škopcima. Na primer Tip NG-20 FK označava nosivu gredu nosivosti 20 kN izvedba F opremljena kukama. Prilikom narudžbine navesti tip grede, dužinu i izvedbu na primer NG-50 UK-60 što označava nosivu gredu nosivosti 50 kN tip U sa kukama, dužine 6 m.

For lifting long plates in the vertical or horizontal position as well as different sections Lifting Beams are used. The Beams are manufactured in the following designs: Type NG-F and NG-U. Both types can be equipped with either hooks or shackles. The Type NG-20 FK designates a lifting beam, load capacity 20 kN, model F equipped with hooks. When ordering, to state the beam type, length and model, e.g. NG-50 UK-60, designating a Lifting beam, load capacity 50 kN, model U provided with hooks, length 6 m.



tip type	nosivost load capacity kN	dostupne dužine available lengths L mm							
NG-F NG-U		1500	2500	3500	4000	5000	6000	8000	10000
NG-20	20	1500	2500	3500	4000	5000	6000	8000	10000
NG-50	50	1500	2500	3500	4000	5000	6000	8000	10000
NG-100	100	1500	2500	3500	4000	5000	6000	8000	10000